

捷 流



VALUE

Value for Value

Butterfly Valve

VF - 730 Series

**CENTRIC, RUBBER SEATED
LEVER · GEAR · PNEUMATIC
ELECTRIC OPERATED.**

ALLOWABLE PRESSURE

DN 40 - 300mm : 16bar

DN 350 - 1200mm : 10bar



DIN EN ISO-9001

Certificate:01 100 029189



PED-97/23/EC

01 202 620/Q-02-0568/001

**INVESTMENT CASTING
STAINLESS STEEL BODY**

2" - 12" (50mm - 300mm)

www.valuevalves.com

Kv Values-Valve Sizing Coefficient.

Size		Disc Angle (Open Degree)								
mm	inch	10°	20°	30°	40°	50°	60°	70°	80°	90°
40	1 1/2	0.7	2.4	6.9	14.2	22	36	59	81	113
50	2	1.1	3.8	10.2	22	38	60	100	132	193
65	2 1/2	2	7.5	18.2	35	61	95	187	240	315
80	3	2.5	9.8	26	48	83	126	214	338	425
100	4	3.8	14.6	39	72	119	221	361	606	723
125	5	6.5	24	62	118	217	394	599	1038	1243
150	6	10	41	95	175	326	542	873	1260	1859
200	8	19	64	165	306	573	995	1567	2310	3124
250	10	28	101	245	451	836	1462	2253	3256	4757
300	12	34	129	312	615	1137	2125	3248	4991	7058
350	14	47	163	390	795	1498	2573	3980	5749	8319
400	16	62	231	508	1077	1973	3381	5385	8099	11458
450	18	75	256	621	1208	2315	3925	6331	9474	13612
500	20	103	346	859	1692	3086	5348	8513	13109	18748
600	24	139	494	1153	2389	4466	7561	11945	18088	25217
700	28	191	659	1674	3224	5990	10659	17442	25194	36821
750	30	203	700	1777	3420	6354	11307	18503	26727	39062
800	32	257	973	2302	4533	8235	14123	23021	31613	45995
900	36	329	1253	2950	5862	10810	18184	29756	42893	61044

Kv value denotes the flow rate in m³/hr for water at 20°C flowing under a pressure differential 1 Kg/cm². When require Cv = 1.17Kv.

Expected Seating/ Unseating Torque (Nm)

Size		Lubricating (Non-corrosive) Δ P (bar)				Dry (Non-Lubricating) Δ P (bar)		
mm	inch	3	6	10	16	3	6	10
40	1 1/2	15	17	19	23	19	21	23
50	2	15	17	19	23	19	21	23
65	2 1/2	18	20	22	26	22	24	27
80	3	28	31	34	41	34	38	42
100	4	37	41	45	54	45	50	56
125	5	61	68	76	91	76	84	93
150	6	116	127	140	154	126	138	152
200	8	171	190	211	253	211	234	260
250	10	275	306	340	408	340	378	420
300	12	381	423	470	564	470	522	580
350	14	545	605	672	812	672	747	830
400	16	728	809	899	1088	899	999	1110
450	18	912	1013	1126	1366	1126	1251	1390
500	20	1135	1261	1401	1691	1401	1557	1730
600	24	1325	1472	1636	1986	1636	1818	2020
700	28	2339	2599	2888	3508	2888	3209	3566
750	30	2608	2898	3220	3920	3220	3578	3975
800	32	3008	3342	3713	4513	3713	4125	4583
900	36	3828	4253	4726	5726	4726	5251	5834

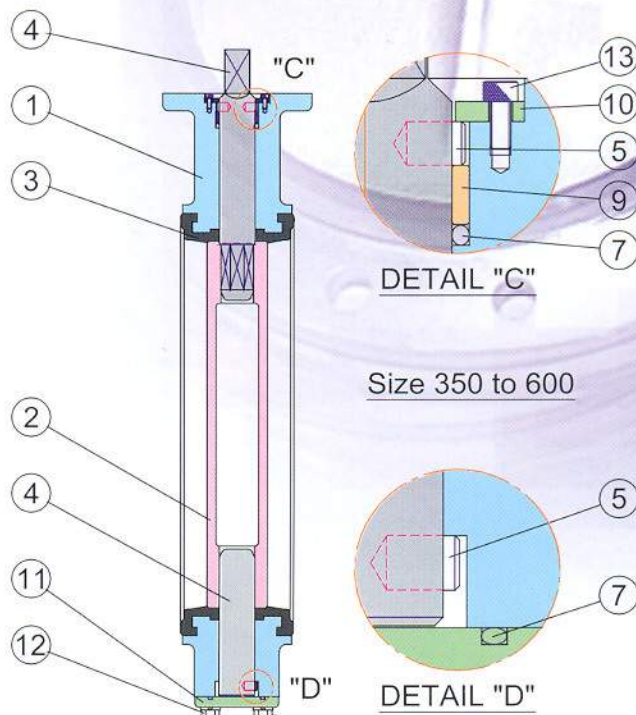
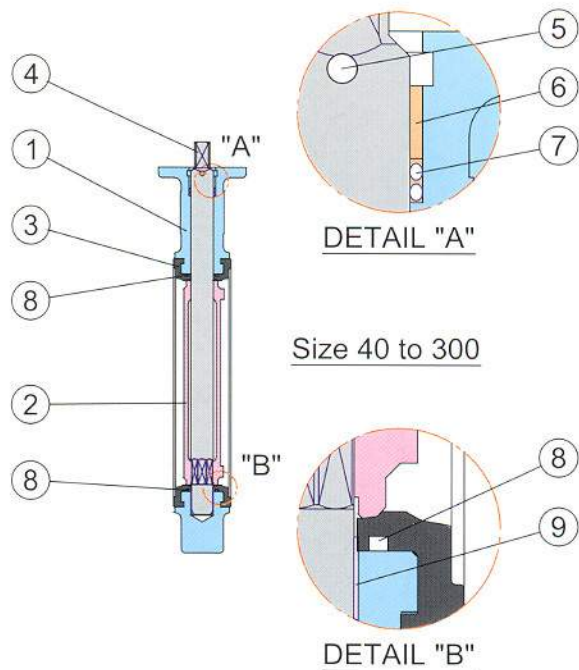
To Use The Torque Chart, Note The Following

- 1) Seating/Unseating torque values above included friction bearing torque for stated Δ P.
- 2) Do not apply a safety factor to above torque values when determining actuator output torque requirement.

MATERIALS

DN-40 ~ DN-600

VF-730 (WAFFER TYPE)
VF-733 (LUG TYPE)
VF-737 (FLANGE TYPE)



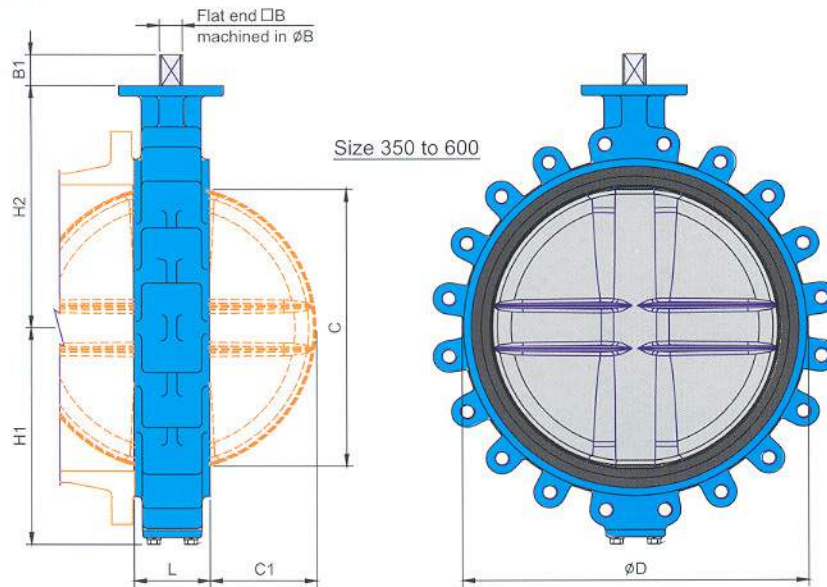
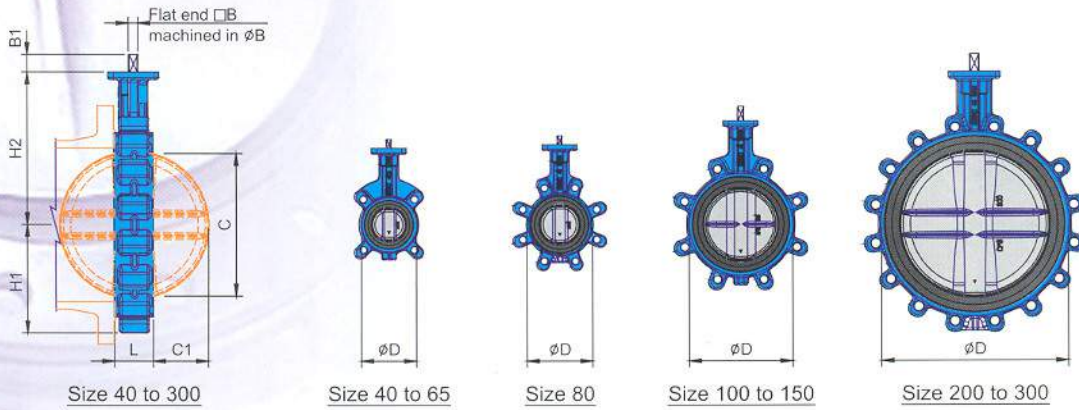
No.	Name	Materials	Specification		Remark
			JIS	ASTM	
1	BODY	CAST IRON	FC 200	A126-B	(1.5"~24")
		DUCTILE IRON	FCD 450	A-536-65-45-12	(1.5"~36")
		STAINLESS STEEL	SCS 13	A351 CF8	(1.5"~36")
	SCS 14	A351 CF8M			
2	DISC	DUCTILE IRON	FCD 450	A-536-65-45-12	Nylon 11 coated
		STAINLESS STEEL	SCS 13	A351 CF8	
			SCS 14	A351 CF8M	
3	SEAT	NBR (NITRILE)			-10 ° ~ 80 °C (14 ° ~ 176 °F)
		EPDM			-20 ° ~ 120 °C (-4 ° ~ 248 °F)
		NEOPRENE (CR)			0 ° ~ 80 °C (32 ° ~ 176 °F)
		SILICON			-20 ° ~ 180 °C (-4 ° ~ 356 °F)
		HYPALON (CSM)			-20 ° ~ 135 °C (-4 ° ~ 275 °F)
		VITON			-18 ° ~ 204 °C (-0.4 ° ~ 400 °F)
4	STEM	STAINLESS STEEL	SUS 410	A182 F6A	
			SUS 304	A182 F304	
			SUS 316	A182 F316	
5	PIN	STAINLESS STEEL	SUS 316	A182 F316	
6	BUSH	DELFIN			
7	O-RING	NBR (NITRILE)			
8	BACK-UP RING	PLASTIC			
9	BUSH	BRONZE	BC6	B62	For cast iron and ductile iron body
10	UPPER COVER	STEEL	SS41	A6	For cast iron and ductile iron body
		STAINLESS STEEL	SUS 304	A240 304	For stainless steel body
11	BOTTOM COVER	CAST IRON	FC 200	A126-B	For cast iron and ductile iron body
		STAINLESS STEEL	SCS 13	A351 CF8	For stainless steel body
12	BOLT	STEEL			
13	BOLT	STEEL			

DIMENSIONS

VF-733 LUG TYPE

DN-40 ~ DN-600

PRESSURE RATING:
 DN 40-300 **16 BAR**
 DN 350-600 **10 BAR**



Size		Face to Face					Mounting flange (ISO 5211)		Flat shaft end			Disc clearance		Weight kg
mm	inch		L	H1	H2	D	Type	PCD	øB	□B	B1	C	C1	
40	1 1/2	33	60	120	81	F07	70	14	11	19	34	7	2.2	
50	2	43	65	143	96	F07	70	14	11	19	39	8	3.4	
65	2 1/2	46	71	155	110	F07	70	14	11	19	55	13	4	
80	3	46	77	162	124	F07	70	14	11	19	69	19	4.5	
100	4	52	89	181	148	F07	70	14	11	19	91	27	7.6	
125	5	56	112	197	180	F07	70	18	14	19	115	36	9.5	
150	6	56	123	210	206	F07	70	18	14	19	140	47	10.4	
200	8	60	150	240	259	F10	102	22	17	24	186	68	17.5	
250	10	68	179	286	320	F10	102	25	19	24	239	90	26.5	
300	12	78	216	309	370	F10	102	28	22	24	288	111	43.5	
350	14	78	301	329	412	F12	125	35	27	29	325	128	58	
400	16	102	333	361	475	F12	125	35	27	29	375	143	81	
450	18	114	358	393	530	F14	140	48	36	38	423	162	110	
500	20	127	392	427	585	F14	140	48	36	38	473	182	155	
600	24	154	454	492	687	F16	165	60	46	48	560	214	259	